



REFRACTORY  
ANCHORS, INC.



## RA-46 Metallic/Ceramic Anchor

The RA-46 Metallic/Ceramic Anchor is an adaptation to the widely accepted "ice tong" hanging system for ceramic anchors. The RA-46 system was developed to solve a tough application where refractory movement was shearing the ceramic anchors at the interface of a dual component lining. The RA-46 metallic components were buried within the lining at the dual component refractory interface.

The RA-46 incorporates the trapping mechanism of "ice tongs" reducing the potential for failure due to metal fatigue. The unique multi-jointed arrangement of the metallic pieces provided flexibility in all directions. Flexibility allows the RA-46 to withstand refractory movement beyond the limitations of ceramic anchors alone. The RA-46 design also allows for various methods of attachment to a variety of surfaces.

"Ice tong" arrangement for attaching ceramic anchors to I-beams has several proven benefits over C-clips:

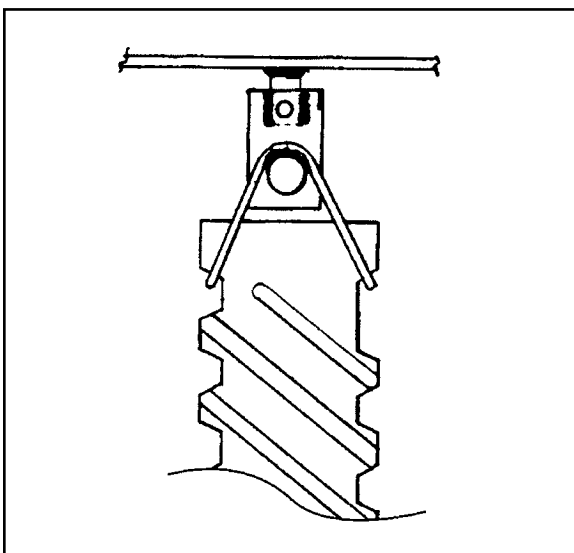
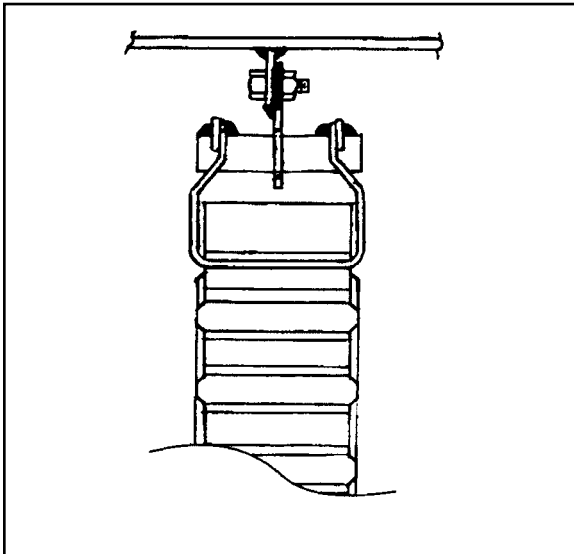
1. More cost effective
2. No risk of metalics opening
3. Allows movement for expansion and vibration

Disadvantages of the "ice tong" system:

1. Requires I-beam suspension only
2. Difficult to install
3. Limitations on amount of movement before failure

The RA-46 anchor system has the advantages of ice-tongs while eliminating the disadvantages:

1. Traps the ceramic anchor
2. Allows metalics to be buried within the lining
3. Can be attached to steel casings and I-beams
4. Allows for movement of lining
5. Easily adapts to dual component linings
6. Tac-welding metallic joints allows use in sidewalls and bullnoses
7. The system is pre-assembled and welded for ease of installation
8. Overall length can be easily varied
9. A variety of stainless alloy combinations can be employed



CS -103 - 0805